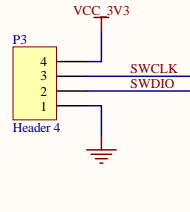
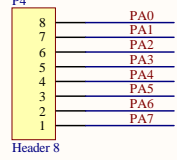


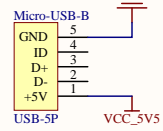
串行调试接口



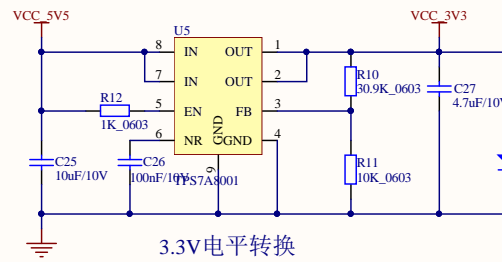
下载接口



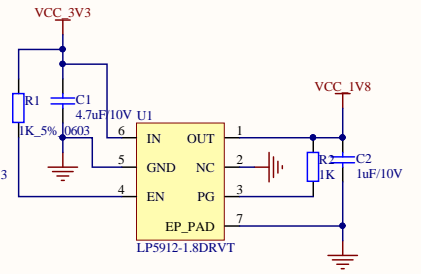
预留接口



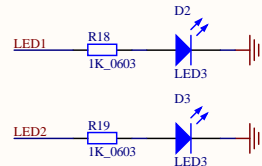
Macro USB 供电



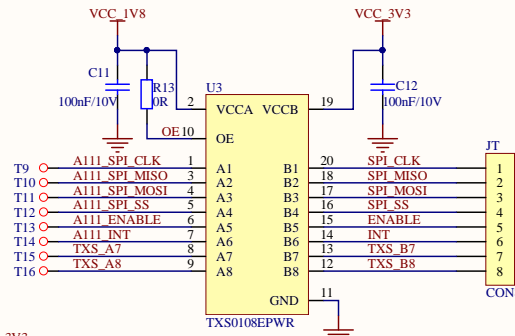
3.3V电平转换



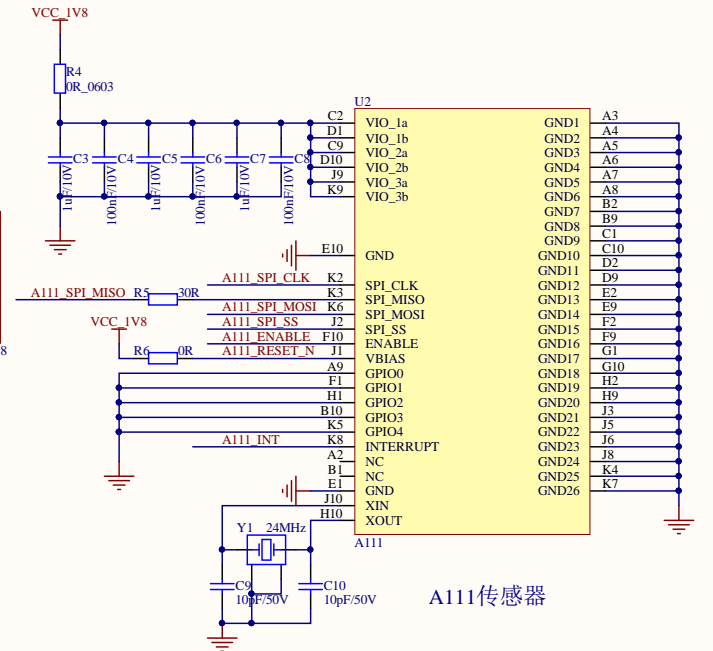
1.8V电平转换



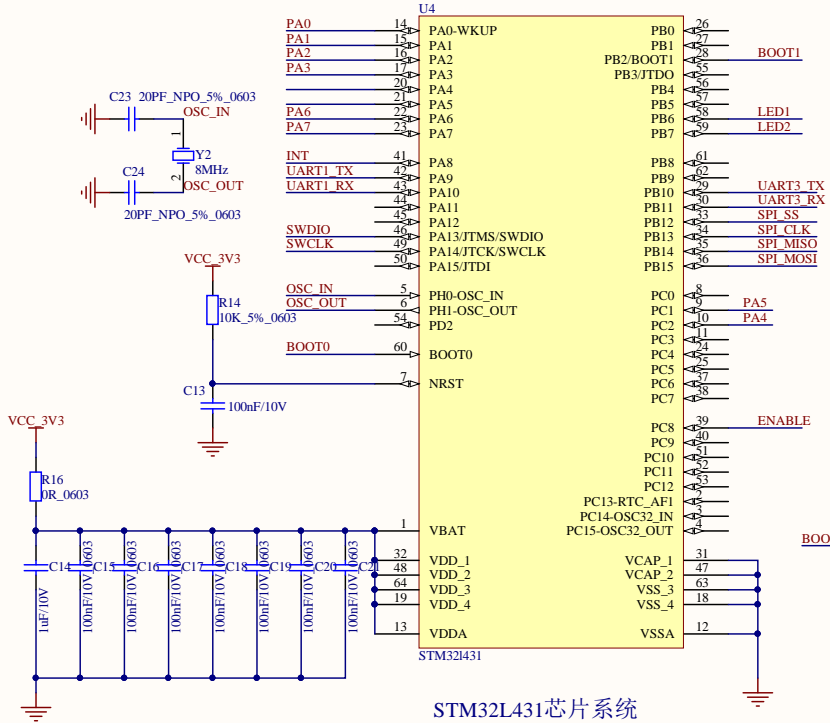
测试LED



3.3V-1.8V电平转换



A111传感器



STM32L431芯片系统

Title		
Size	Number	Revision
Date:	2019/3/20	Sheet of
File:	E:\TQ-YBD\A111_STM32L431_SCH	Drawn By

