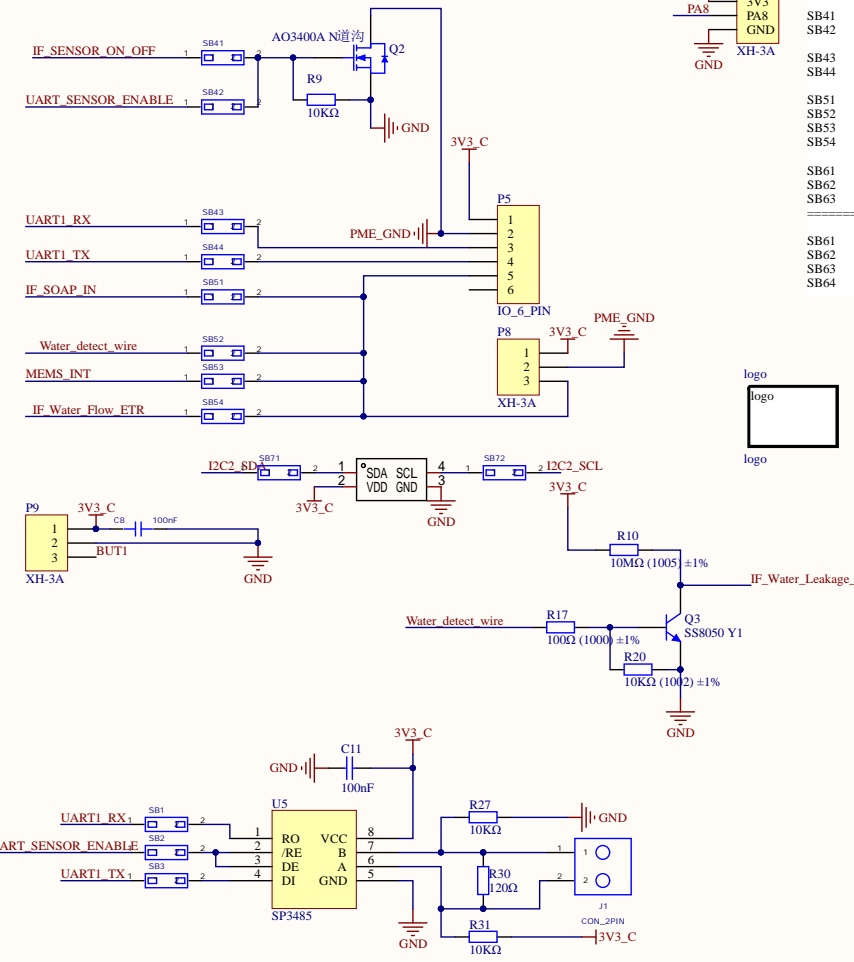
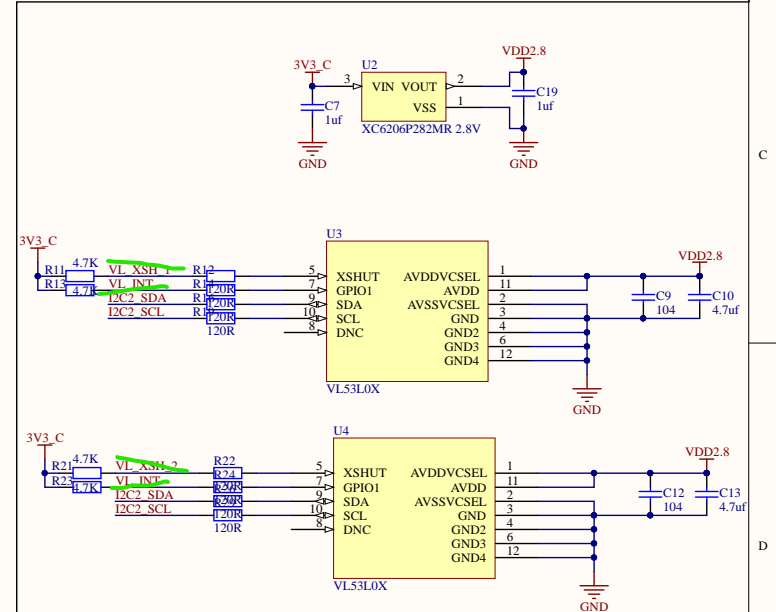
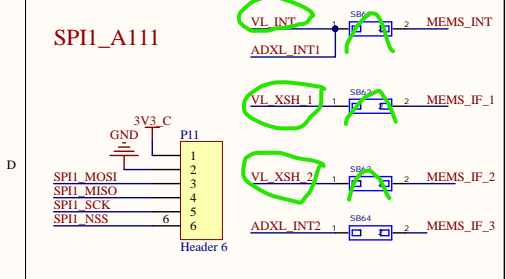
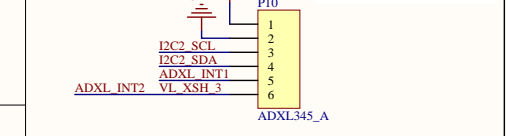
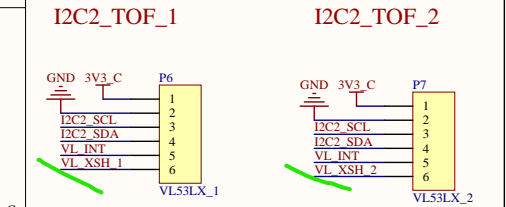


PME_SENSOR_GND(CISTERN/WATER TANK/SOAP)



	P9 (1,2,5)	P9 (1,2,3,4)	P9 (1,2,5)	P9 (1,2,5)	P9 (1,2,5)	J1 (1,2)
	P11 (1,2,3)		P10 (1,2,3)	P11 (1,3)	P11 (1,2,3)	
SOAP	X					RS485
ULTRASONIC		X				
REEDHALL			X			
LEAKAGE				X		
WATERFLOW					X	
TOF_A	X					X
TOF_B	X					X
TOF_C	X					X



Comment	Description	Designator	Footprint	LibRef	Quantity
---------	-------------	------------	-----------	--------	----------