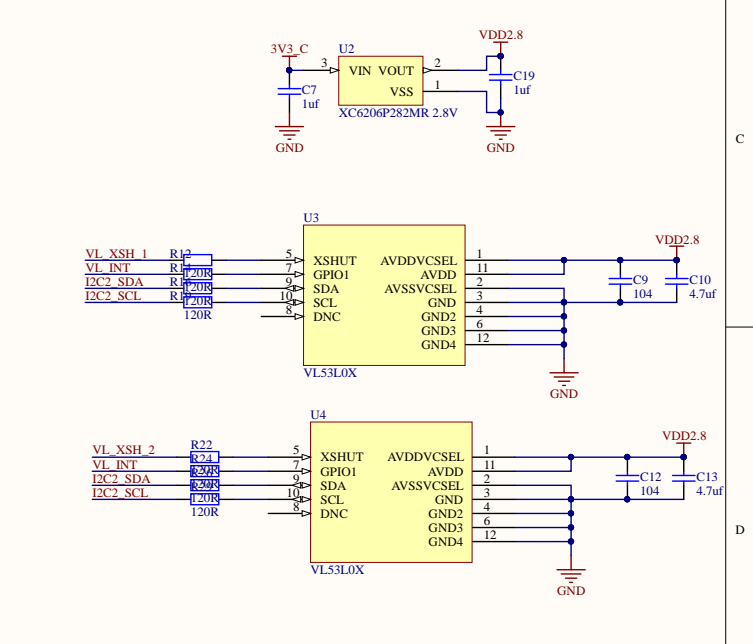
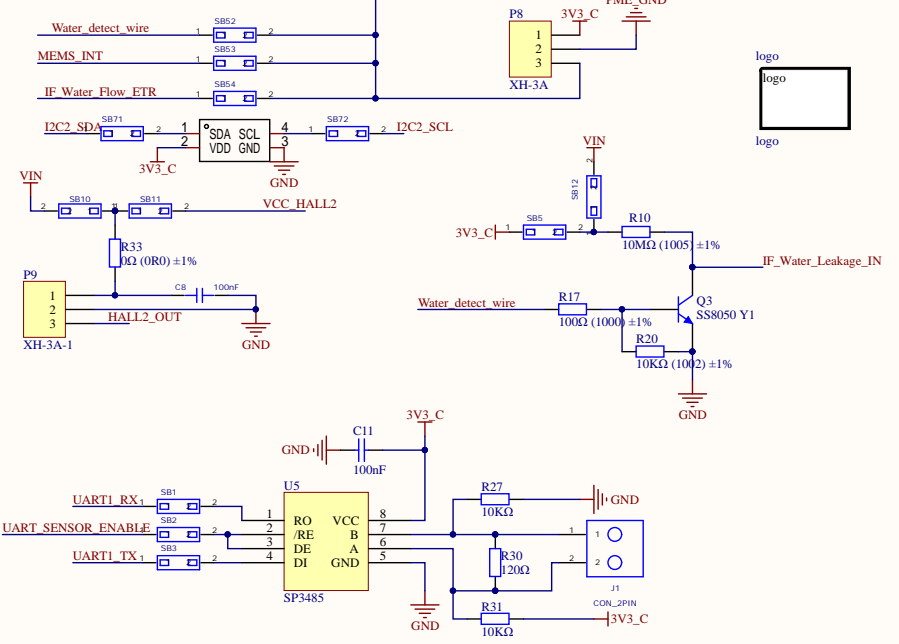
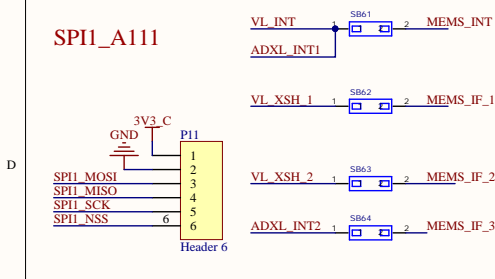
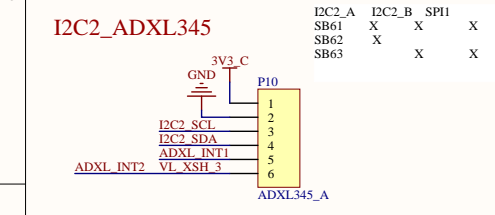
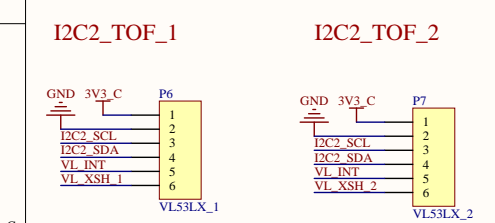


P9 (1,2,5)	P9(1,2,3,4)	P9(1,2,5)	P9(1,2,5)	P9(1,2,5)	J1(1,2)
P11(1,2,3)	P10(1,2,3)	P11(1,3)	P11(1,2,3)	P11(1,2,3)	
SDAP	ULTRASONIC	REEDHALL	LEAKAGE WATERFLOW	RS485	
SB41	X	X	X	X	X
SB42	X	X	X	X	X
SB43	X	X	X	X	X
SB44	X	X	X	X	X
SB51	X	X	X	X	X
SB52	X	X	X	X	X
SB53	X	X	X	X	X
SB54	X	X	X	X	X
SB61	X	X	X	X	X
SB62	X	X	X	X	X
SB63	X	X	X	X	X
SB64	X	X	X	X	X
TDF_A	TDF_B	TDF_C			



Comment	Description	Designator	Footprint	LibRef	Quantity
---------	-------------	------------	-----------	--------	----------