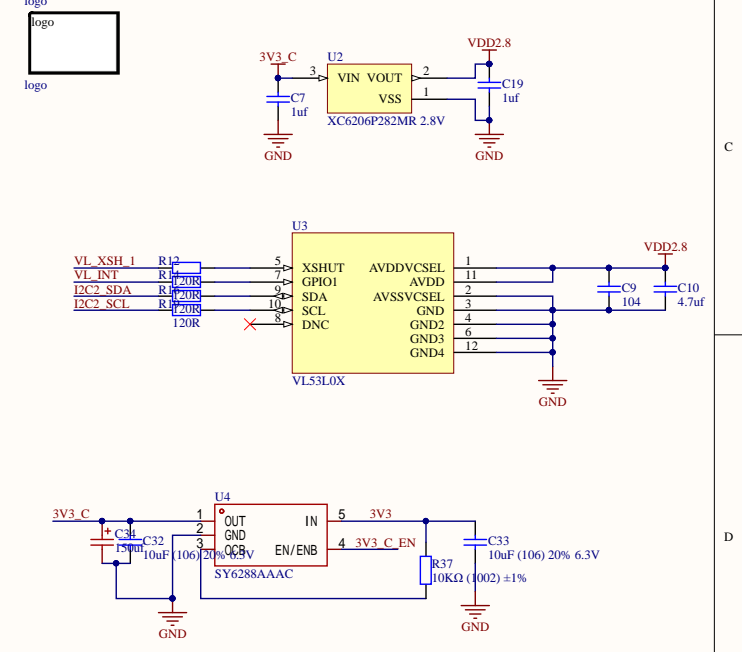
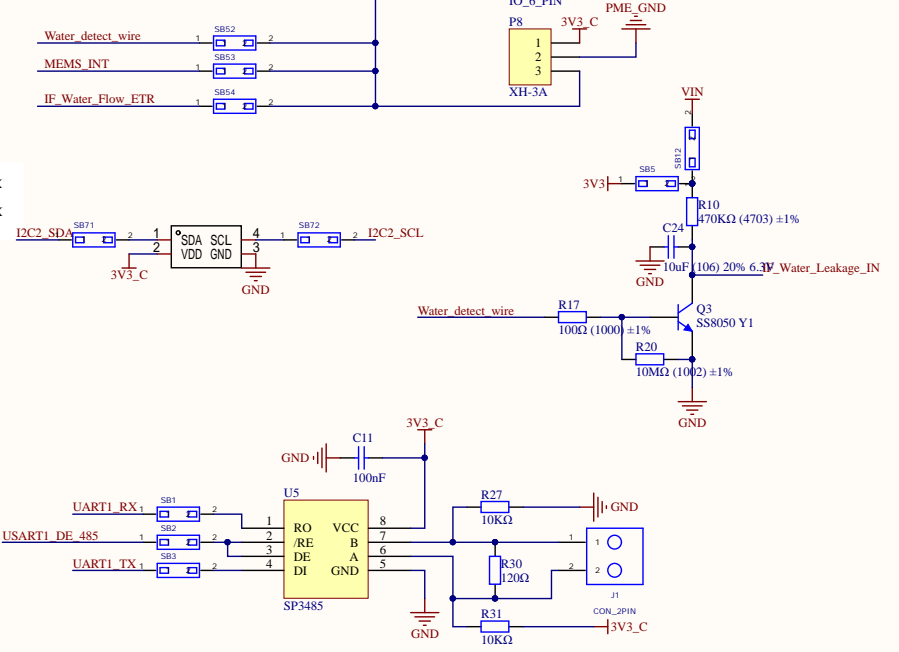
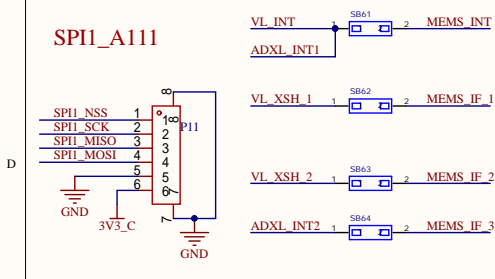
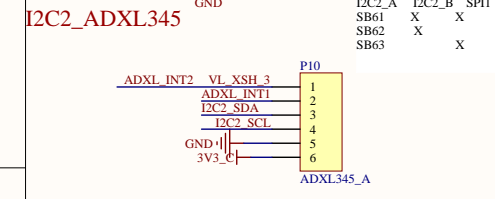
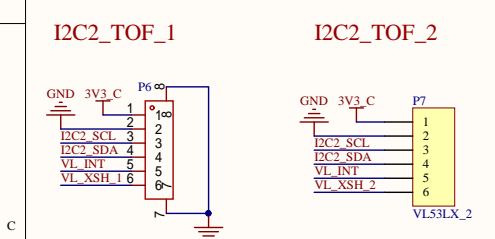
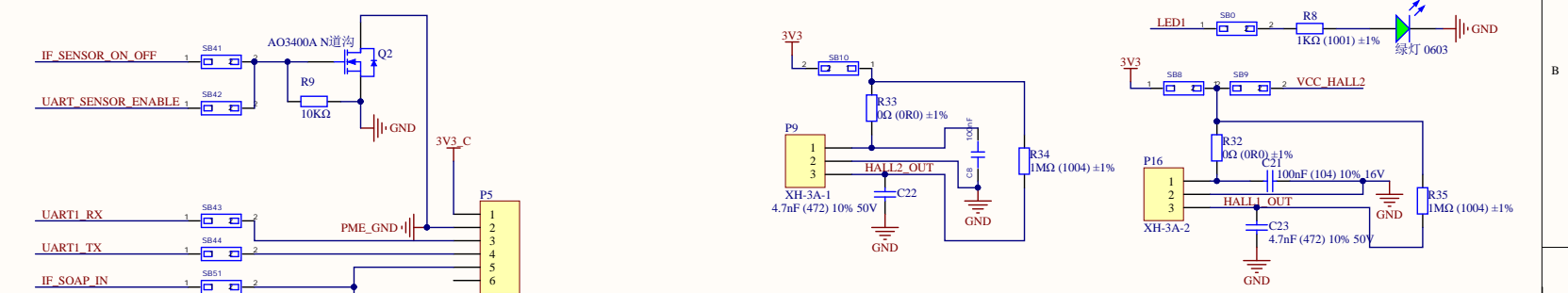


**PME\_SENSOR\_GND (CISTERN/WATER TANK/SOAP)**



Comment	Description	Designator	Footprint	LibRef	Quantity
---------	-------------	------------	-----------	--------	----------